



**Manufacturers
of high-quality Load Bodies**



Ramcom Trucks

Ramcom Trucks and Load Bodies were originally established during 1987 in Knysna. After only 5 years the company managed to outgrow its premises and relocated to George. Initially we rented a 1650 m² factory and in 1994 we managed to buy our own premises. At present our 2650 m² working area and 9500 m² of yard enable Ramcom Trucks and Load Bodies to comfortably accommodate the large vehicles in which we specialise.

Ramcom Trucks and Load Bodies has several divisions that primarily concentrate on repairs to trucks from 3500kg and upwards. The panel shop mainly focuses on the repairs or replacement of cabs, body repairs and chassis straightening. All final preparation and painting are done in our 22m-long pressurized spray booth. We undertake accident repairs for all major insurance companies and are affiliated with both RMI as well as the SAMBRA group of approved vehicle repairers.

The load body manufacturing undertakes the manufacturing of any form of rigid van, taut liner, cattle- or tanker bodies. We are approved body builders and manufacturers with the SABS. We manufacture bodies for all the major truck manufactures i.e. Mercedes Benz, Fuso, M A N, Nissan, Iveco, Toyota, Tata and Isuzu.

Trailers are a major part of our production line, including semi-trailers, interlinks and drawbar trailers. Trailers are designed and built to suit our customer's specific requirements.

Ramcom Trucks and Load Bodies has undertaken a wide variety of projects including several custom-made camper vans, luxury 38-seater coaches, horse boxes, specialized elephant trailers, fire engines for both forestry and urban applications and much more.

Our Vision

Being the best and most respected truck repairer and load body manufacturer in Southern Africa.

Our Mission

To exceed our customers expectations in quality, delivery, and cost through continuous improvement and customer interaction.

New Load Bodies

Ramcom has been manufacturers of high-quality load bodies since 1987.

We build:

- Drop-side load bodies • Tipper bodies • Van load bodies • Taut-liner load bodies • Vacuum tankers
- Side tipper load bodies • Flat-deck load bodies • Cattle carriers • Log carriers • Water tankers



Trailers

Ramcom Trucks and Load Bodies manufactures a variety of trailers. We are a medium-sized manufacturer with a flexible production line which enables us to modify and build trailers specifically to suit our customers' specific needs.

We build:

- Interlink trailers • Semi-trailers • Drawbar trailers • Cattle carriers • Bomag trailers



Fire Trucks

Ramcom Trucks and Load Bodies have manufactured and rebuilt a variety of different firefighting vehicles. All these vehicles are designed and built to be as functional and user friendly as possible. Due to our highly flexible workshop and design staff, we work hand in hand with the relevant fire departments to ensure their specific requirements are met.



Specialized Overland Camper

Ramcom has a proud reputation of building 4x4 campers onto customers' vehicles for the past 25 years, spread purely by word of mouth.



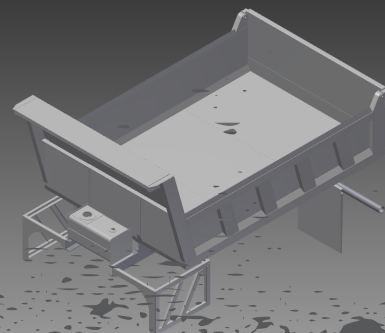
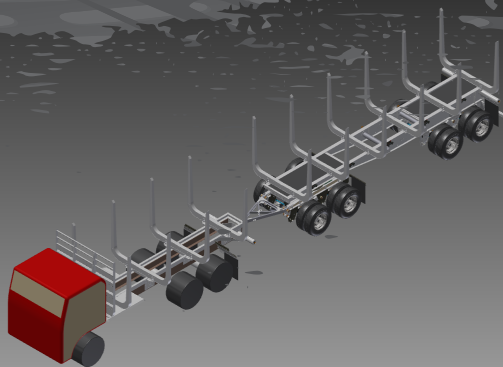
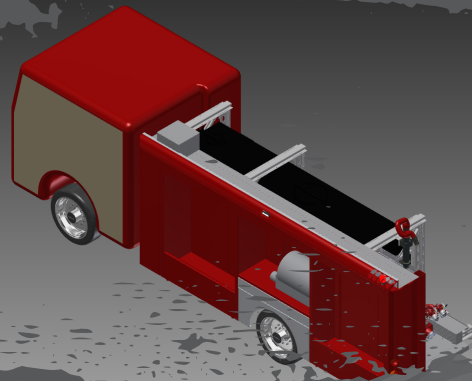
GO GEORGE

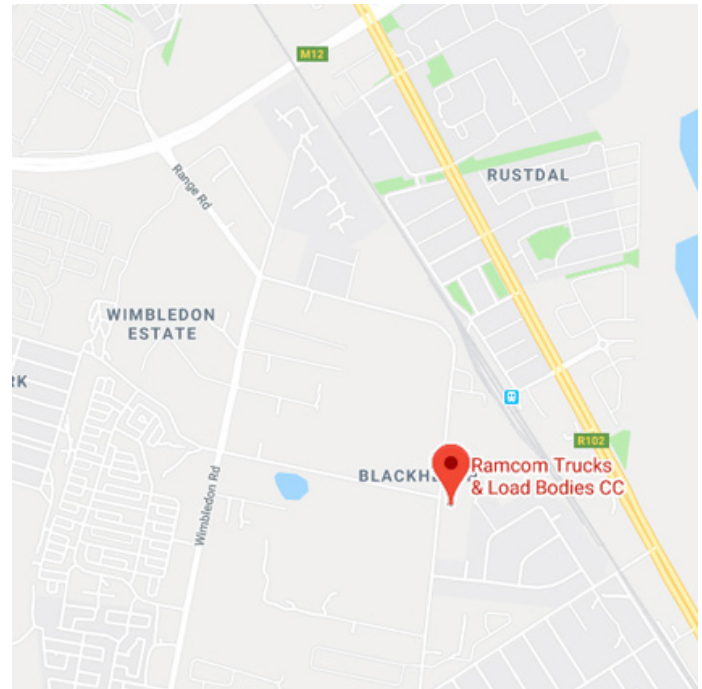
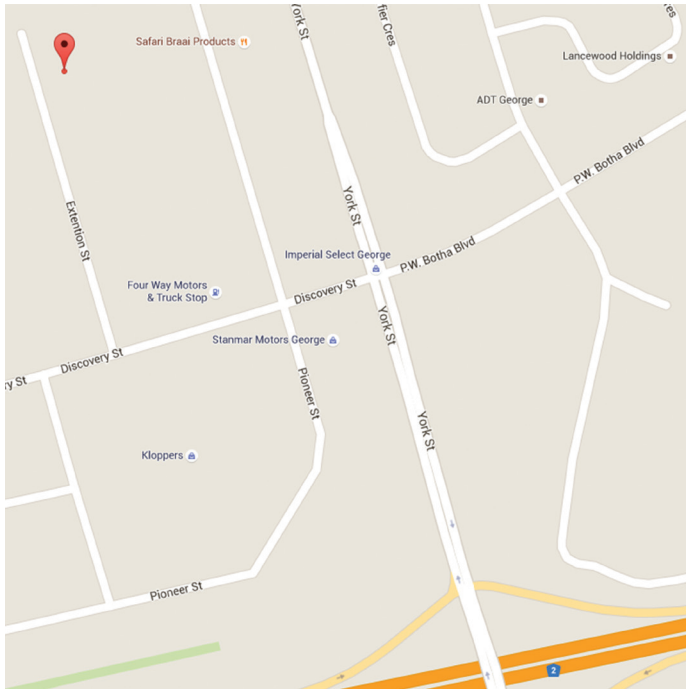
Ramcom Trucks is very privileged to be selected by Busmark 2000 to be their representative as the preferred bus body repair agent for the GO GEORGE Project. Ramcom also offers a seven-days-a-week mobile support service to this project. We feel that this project is a huge boost for the George community and are very proud to be involved.



NEW ADVANCEMENTS

With the recently purchased a CNC plasma cutter , Ramcom has been able to increase the quality as well the speed in which we are able to reproduce our products. All our newly build load bodies are designed and developed on Auto Cad Inventor. This makes reproducing parts and load bodies quick and easy.





Ramcom Trucks and Load Bodies (Pty) Ltd

Tel: 044 878 0511/2 • Fax: 044 878 0518

Cell: 083 274 1571

3466 George Industria • 6536

Unit 2B Blackheath-Park, Range Road

Blackheath, Western Cape • 7580

Tel: 021 905 0717

www.ramcomtrucks.co.za

